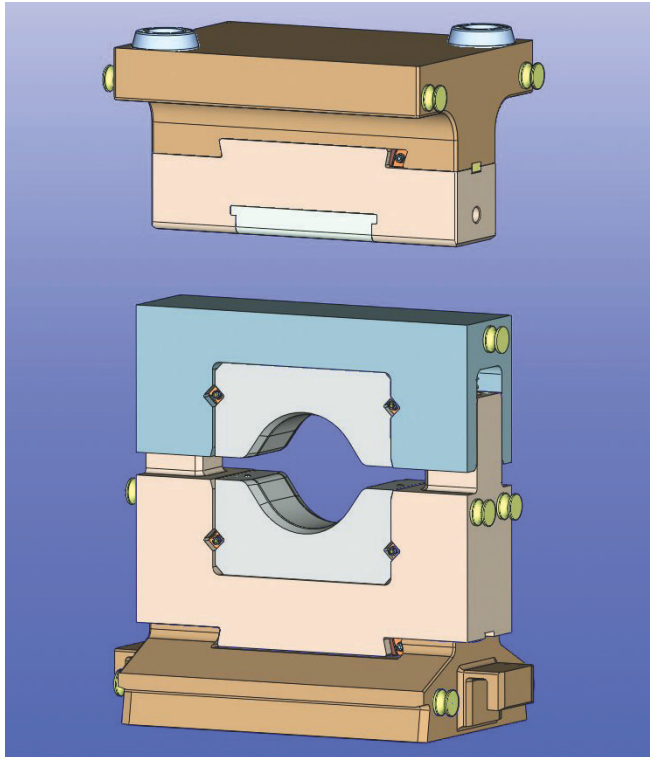


Dies for round tools



Dies for round tools

Feuerbacher tensioning key 80.400

Height 80mm, width 78mm, length 400mm

Cup spring package inside

Concave/convex contact face of key halves

Thread W1"

Angles 0°/0°

Details of application

Form and friction locking of the dies with Feuerbacher tensioning keys.

Weight of the dies
approx. 1.250 kg – 1.500 kg.

The die segments are installed from the top and fixed with two Feuerbacher tensioning keys each.

The holder for round tools can be installed on any die holder.

